

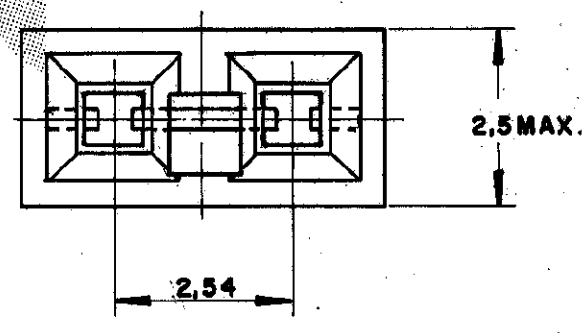
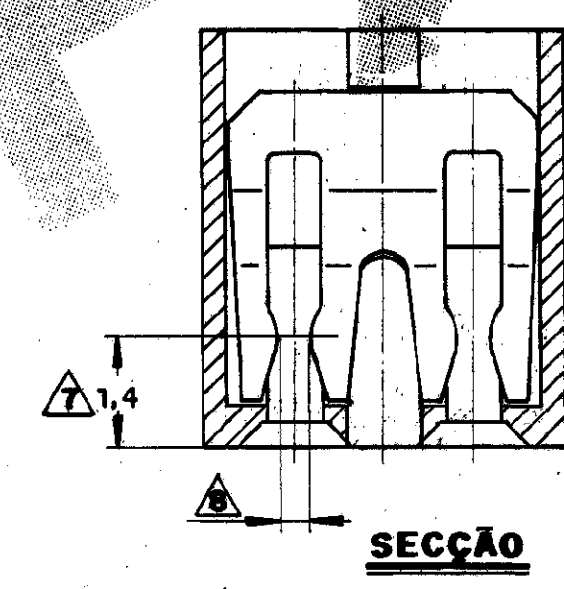
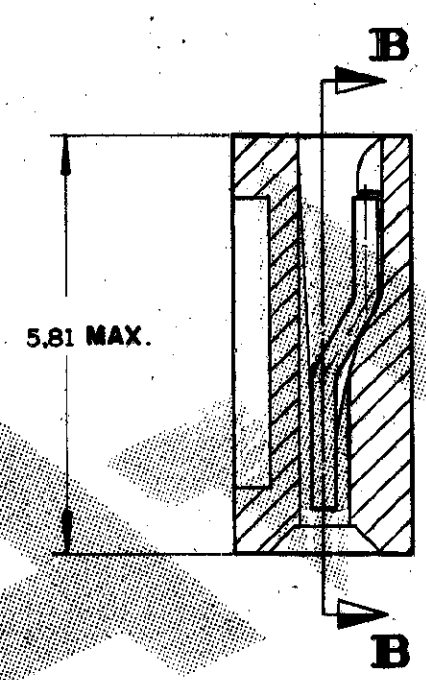
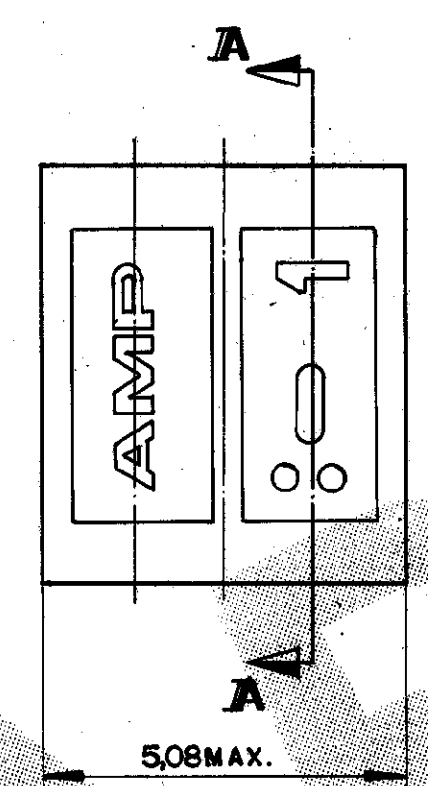
C 881545

DO NOT SCALE
DIMENSIONS IN mm.

METRIC

3rd ANGLE PROJECTION

SECÇÃO A-A



6		2-	- 8
5		2-	- 7
4		2-	- 6
3	3	2-	881 545 - 5
6		1-	- 8
5		1-	- 7
4		1-	- 6
3	2	1-	- 5
6		1-	- 4
5		1-	- 3
4		1-	- 2
3	1	1-	881 545 - 1

OTHER TREATMENT	FINISH	MATERIAL	PART NUMBER
CUSTOMER DWG for REFERENCE ONLY			
<small>THIS DRAWING IS UNPUBLISHED. RELEASED FOR PUBLICATION 19 C. COPYRIGHT 19 BY AMP DO BRASIL LTDA S.P. - ALL INTERNATIONAL RIGHTS RESERVED. AMP PRODUCTS MAY BE COVERED BY U.S. AND FOREIGN PATENTS AND/OR PATENTS PENDING. TOLERANCES UNLESS OTHERWISE STATED: DEC. ±0,5 ANGLES ±1°</small>			
<small>INS. DIA. RANGE</small> <small>WIRE RANGE</small> <small>SCALE</small>		AMP AMP do BRASIL LTDA. São Paulo, Brasil	
<small>DR.</small> <small>CHK.</small> <small>DE.</small>		<small>DESCRIPTION</small> AMP SHUNT LOW PROFILE CONNECTOR ASS'Y	
<small>ISS. REVISION RECORD</small>		<small>DWG NO</small> A2	<small>SHEET</small> 2 OF 2

